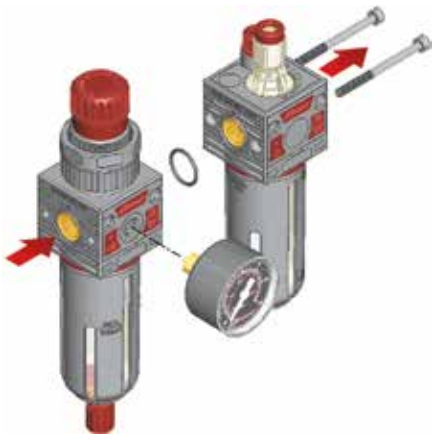


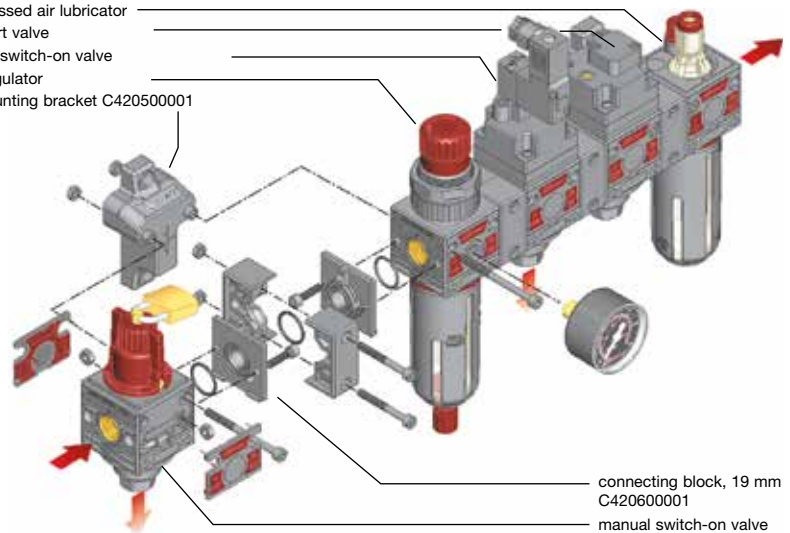
ASSEMBLY DIAGRAMS FOR PLASTIC FRL SERVICE UNITS C2/C3



screw connection of standard FRL service unit with screws, nuts and o-ring C400500001

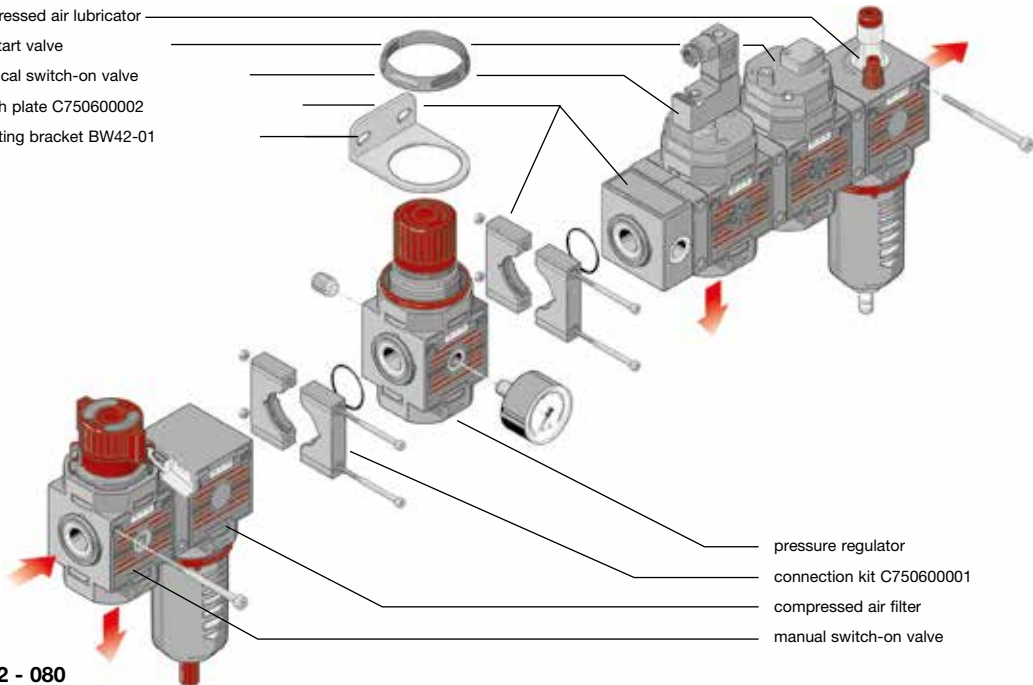
Series 042

compressed air lubricator
soft start valve
electric switch-on valve
filter regulator
"T" mounting bracket C420500001



connecting block, 19 mm C420600001
manual switch-on valve

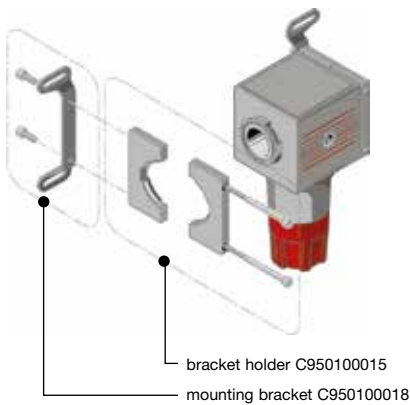
compressed air lubricator
soft start valve
electrical switch-on valve
branch plate C750600002
mounting bracket BW42-01



pressure regulator
connection kit C750600001
compressed air filter
manual switch-on valve

Series 075

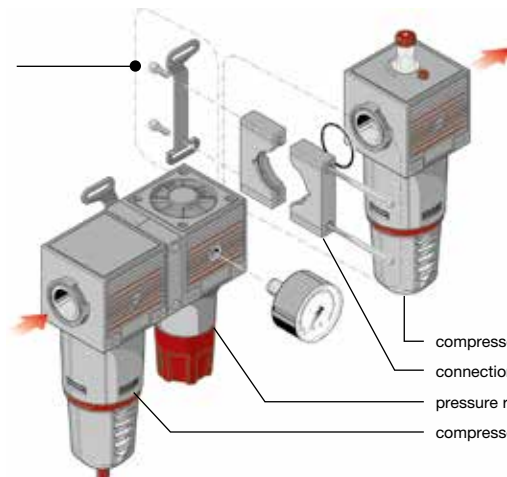
similar to Series 050 - 052 - 080



bracket holder C950100015
mounting bracket C950100018

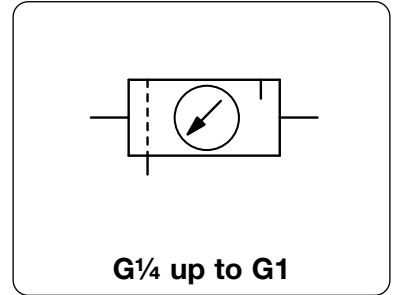
Series 095

mounting bracket C950100018



compressed air lubricator
connection kit C950600001
pressure regulator
compressed air filter

Description	Made up of modular components which can be combined to form compact units. Switch-on and soft start valves available as additional modules.		
Media	compressed air or non-corrosive gases		
Supply pressure	max. 12.5 bar, max. 7 bar at lubricator with oil level indicator, max. 16 bar for Series 042		
Gauge port	G $\frac{1}{8}$ or G $\frac{1}{4}$ at series 095, on both sides of the body, one screw plug supplied		
Filter element	20 μ m, optionally 5 μ m, made of sintered polyethylene		
Bowl	plastic version with bayonet catch, series 042 with connection thread		
Drain	manual drain with semiautomatic drain, optionally automatic drain		
Oil refilling	optionally with semiautomatic oil refilling without need to interrupt operation		
Oil level indicator	If the oil level falls below the limit value, a float will close a signal contact.		
Temperature range	Contact: NO	Voltage: max. 115 V	
Material	0 °C to 50 °C / 32 °F to 122 °F		
	Body: nylon, POM at series 042	Inner valve: brass	
	Bowl: polyamide	Thread insert: brass	
	Elastomer: NBR/Buna-N		



Dimensions				Combination	Bowl	Flow	Connection	Order
A	B	C	K	consist	design	rate	thread	number
mm	mm	mm	mm	of	made of / with	m ³ /h*1	l/min*1	G

FRL unit, 2-part					P ₁ : max. 12.5 / 16 bar, P ₂ : 0...8 bar, 20 μ m, semiautomatic drain, with pressure gauge	C2			
84	208	126	-	B+L042	plastic/	59	980	G $\frac{1}{4}$	C242-02HC
115	239	148	126	B+L050	bowl guard	84	1400	G $\frac{3}{8}$	C250-03HC
115	239	148	126	B+L052		90	1500	G $\frac{1}{2}$	C252-04HC
139	276	173	151	B+L075		132	2200	G $\frac{1}{2}$	C275-04HC
212	276	173	-	B+L080		138	2300	G $\frac{3}{4}$	C280-06HC
210	415	237	230	B+L095		480	8000	G1	C295-08HC

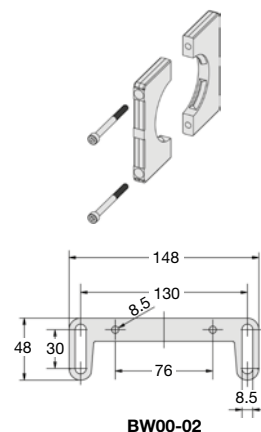
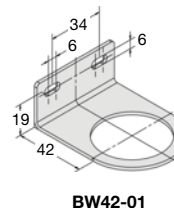
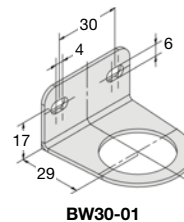
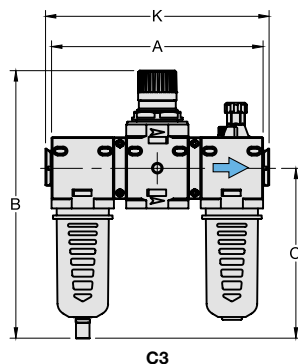
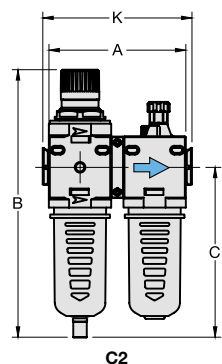


FRL unit, 3-part					P ₁ : max. 12.5 / 16 bar, P ₂ : 0...8 bar, 20 μ m, semiautomatic drain, with pressure gauge	C3			
126	208	126	-	F+R+L042	plastic/	59	980	G $\frac{1}{4}$	C342-02HC
178	239	148	189	F+R+L050	bowl guard	84	1100	G $\frac{3}{8}$	C350-03HC
178	239	148	189	F+R+L052		90	1500	G $\frac{1}{2}$	C352-04HC
215	276	173	227	F+R+L075		132	2200	G $\frac{1}{2}$	C375-04HC
288	276	173	-	F+R+L080		138	2300	G $\frac{3}{4}$	C380-06HC
325	411	237	345	F+R+L095		480	8000	G1	C395-08HC



Special options, add the appropriate letter			
5 μm filter element		for C.42 to C.80 for C.95	C...-0.G. C.95-0.G.
0...12 bar regulating range		for C.42 to C.80 for C.95	C...-0..D C.95-0..D
automatic drain	C400200130	for all devices	C...-0...R
semiautomatic oil refilling	P _{min.} 3 bar	for C.42 to C.80	C...-0...X65
oil level indicator	P _{max.} 7 bar max. 115 V / NO	for C.50 to C.95	C...-0...X66

Accessories, enclosed			
mounting bracket	made of steel, mounting nut at the device	for C.42 for C.50 to C.80	BW30-01 BW42-01
set of brackets	made of steel, mounting nut at the device	for C.95	BW00-02



*1 at 10 bar supply pressure, 6 bar outlet pressure and 1 bar pressure drop
*2 04 = 0...4 bar, 10 = 0...10 bar, 16 = 0...16 bar

Further details: see chapter for single devices
Spare parts: see separate spare parts list

PDF CAD
www.aircom.net

Order example:
C242-02HC